



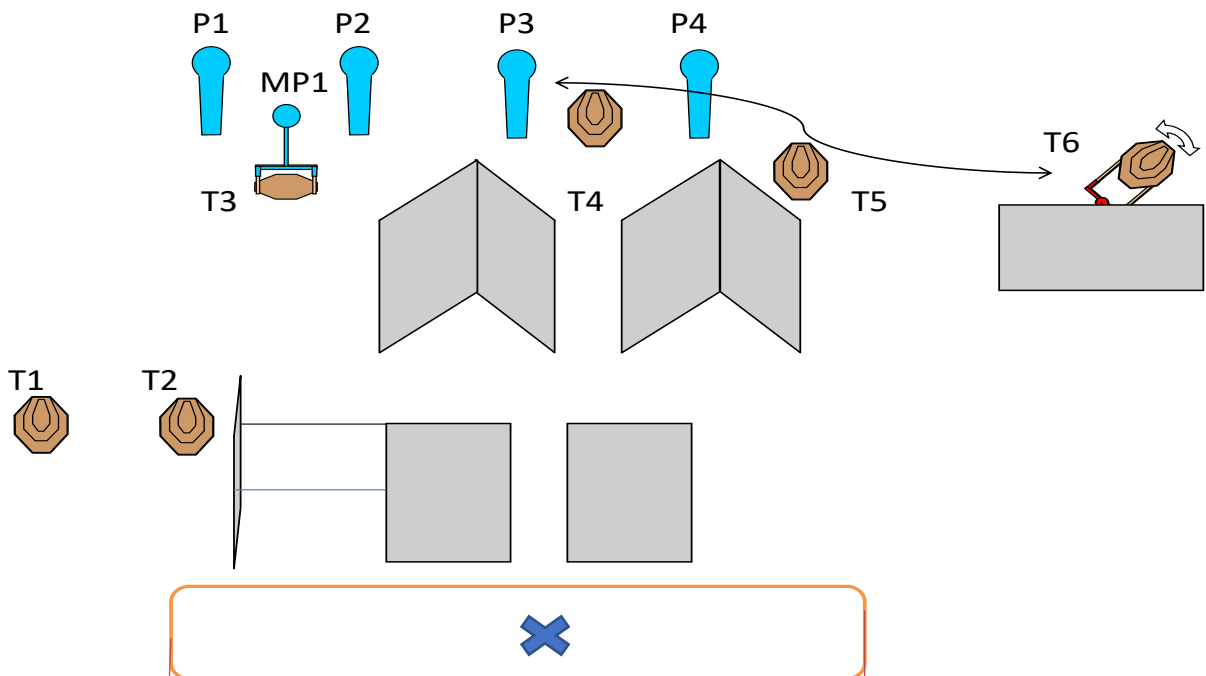
Stage No.	Type of Course	Min. of rounds	Venue
1	MEDIUM	17	RSCI Firing Range
2	MEDIUM	22	RSCI Firing Range
3	SHORT	12	RSCI Firing Range
4	SHORT	11	RSCI Firing Range
5	MEDIUM	20	RSCI Firing Range
6	SHORT	12	RSCI Firing Range
7	MEDIUM	19	RSCI Firing Range
8	SHORT	9	RSCI Firing Range
9	SHORT	9	RSCI Firing Range
10	LONG	32	Eastridge Firing Range
11	LONG	26	Eastridge Firing Range
12	LONG	32	Eastridge Firing Range
13	MEDIUM	23	Eastridge Firing Range
14	MEDIUM	18	Eastridge Firing Range
15	SHORT	12	Eastridge Firing Range
16	SHORT	12	Eastridge Firing Range
17	SHORT	12	Eastridge Firing Range
18	SHORT	10	Eastridge Firing Range
<b>TOTAL</b>		<b>308</b>	

# Stage 1

---

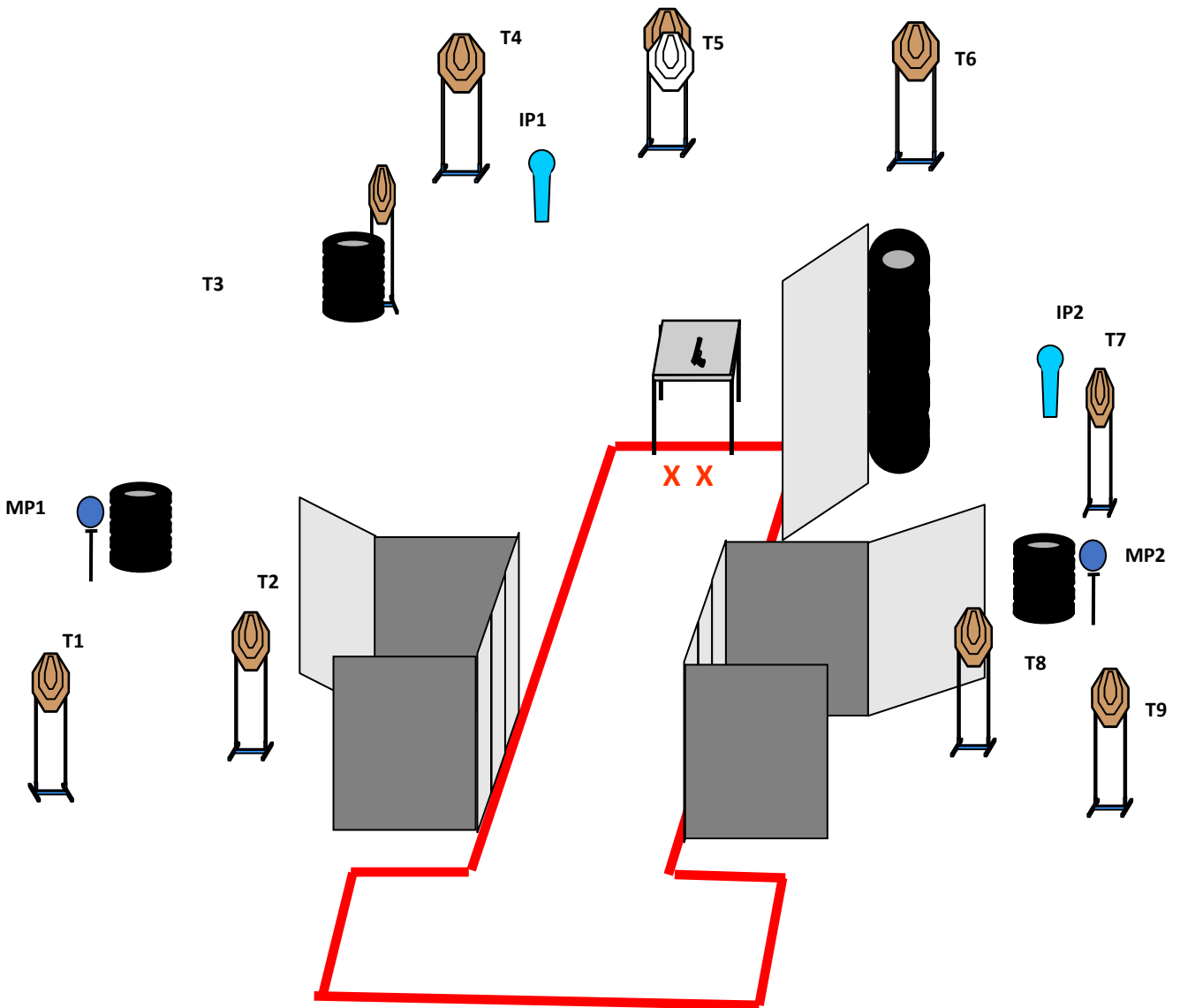
Course Type : MEDIUM  
 Targets : 6 IPSC Targets, 4 IPSC Poppers, 1 IPSC Metal Plate  
 Rounds to be Scored : 17  
 Start position : Standing relaxed on marker.  
 Time starts : Audible  
 Procedure : Upon signal engage targets from within the demarcated area

NOTE: IPSC Popper P3 will activate moving target T6, MP1 will activate T3, both of which stays visible at rest



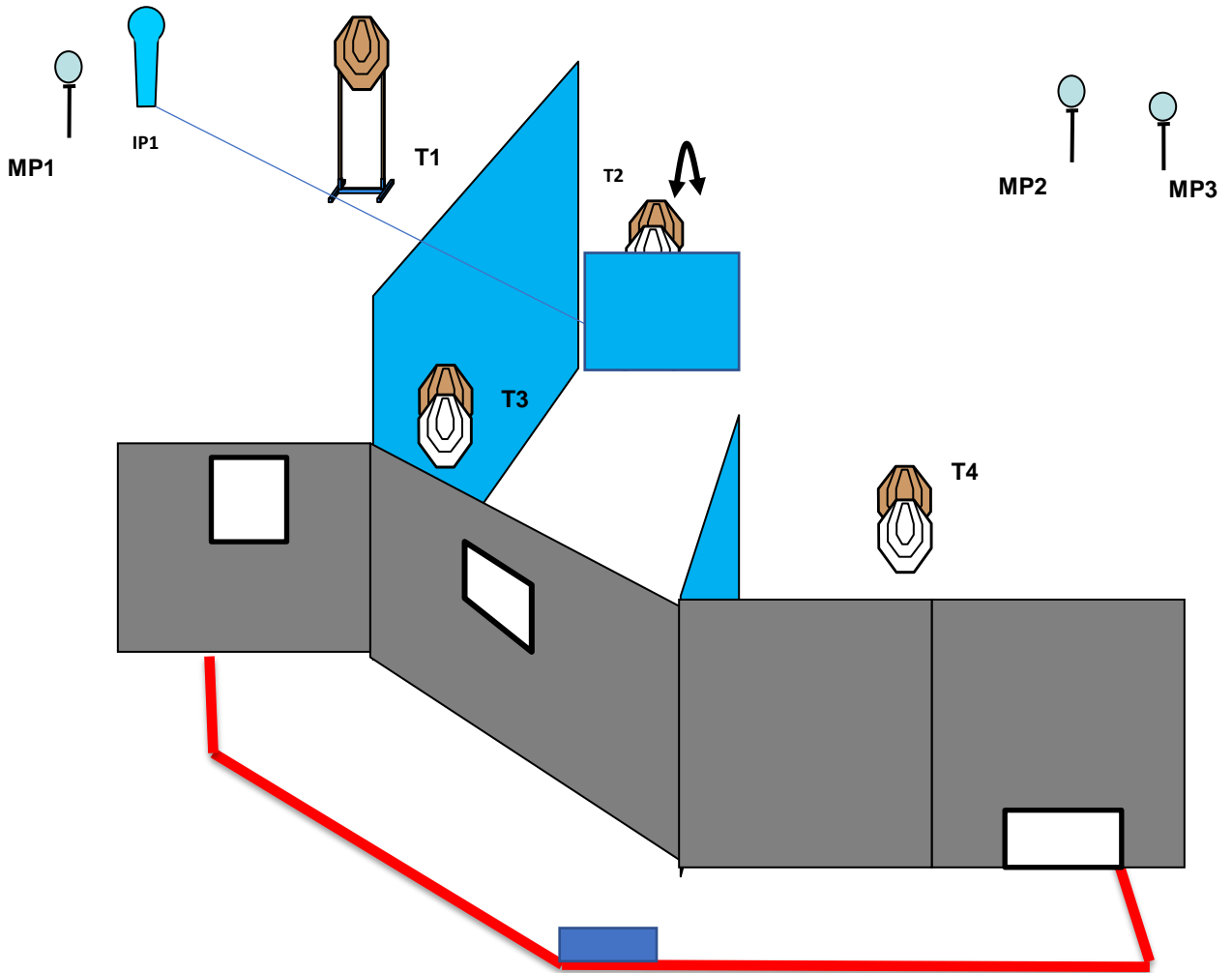
## Stage 2

- Course Type : MEDIUM  
 Targets : 9 IPSC Targets , 2 IPSC poppers & 2 IPSC metal plates  
 Rounds to be Scored : 22  
 Start position : Standing relaxed on marker. Loaded gun placed on top of the table.  
 Time starts : Audible  
 Procedure : Upon signal engage targets from within the demarcated area



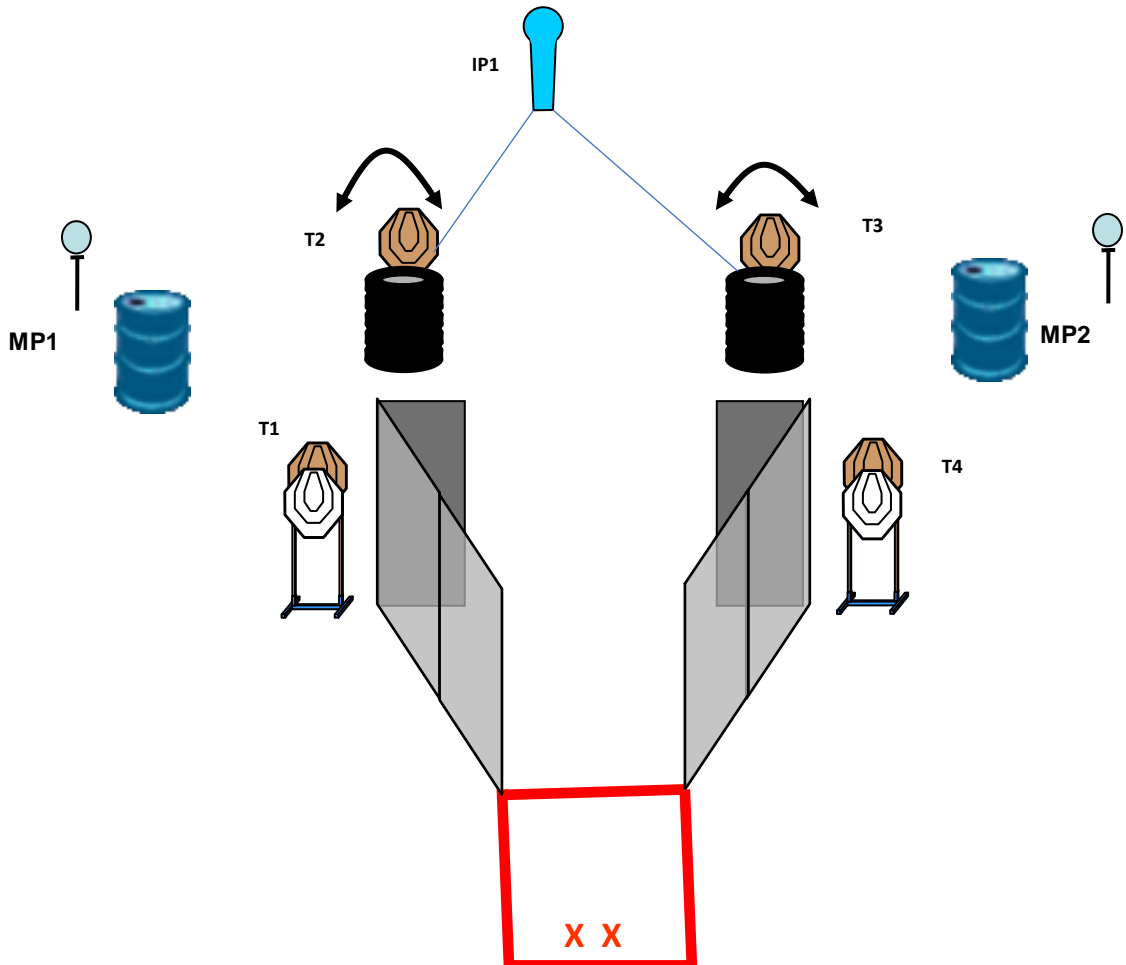
## Stage 3

Course Type	: SHORT
Targets	: 4 IPSC Targets, 3 IPSC Metal Plates & 1 IPSC popper
Rounds to be Scored	: 12
Start position	: Standing relaxed on marker.
Time starts	: Audible
Procedure	: Upon signal engage targets from within the demarcated area
Notes	: IP1 activates moving target T2 that stays visible at rest



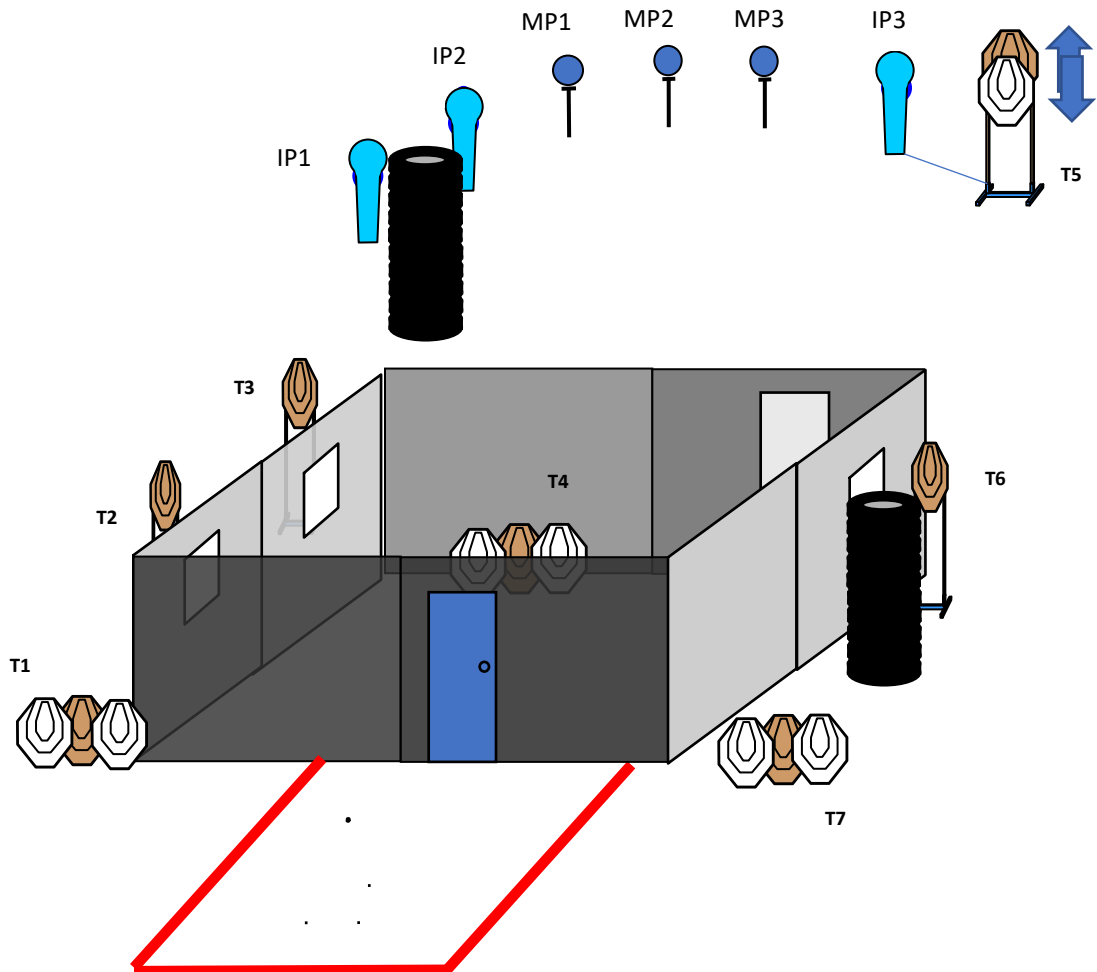
## Stage 4

- Course Type : SHORT  
 Targets : 4 IPSC Targets, 2 IPSC Metal Plates & 1 IPSC popper  
 Rounds to be Scored : 11  
 Start position : Standing relaxed on marker.  
 Time starts : Audible  
 Procedure : Upon signal engage targets from within the demarcated area  
 Notes : IP1 activates moving target T2 & T3, bot of which remains visible at rest



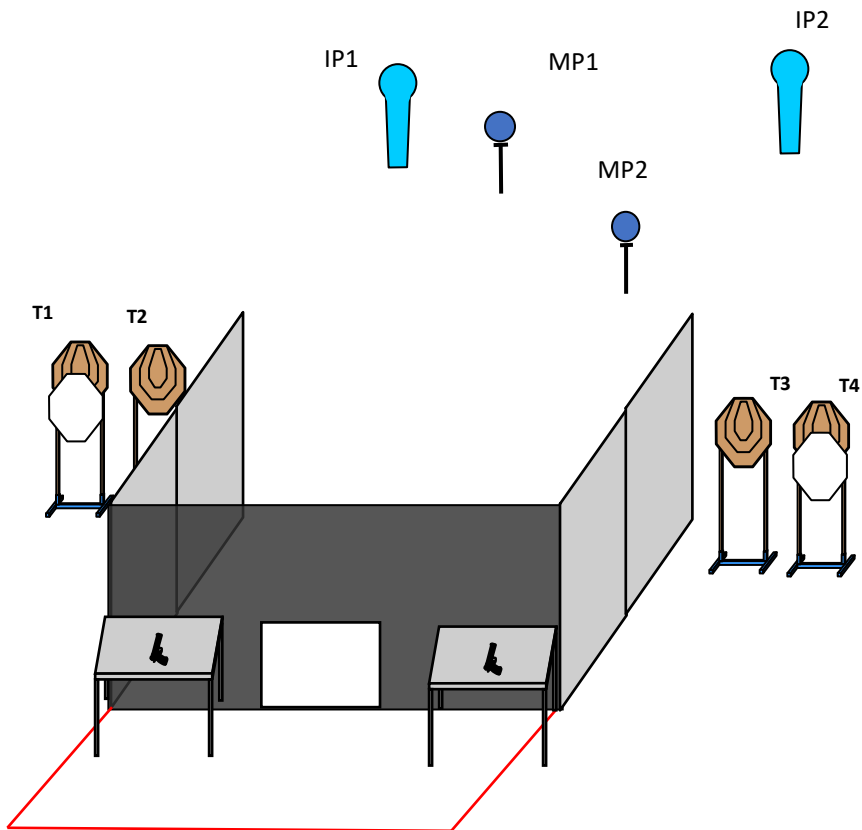
## Stage 5

Course Type	: MEDIUM
Targets	: 7 IPSC Targets & 3 IPSC poppers & 3 IPSC metal plates
Rounds to be Scored	: 20
Start position	: Standing anywhere within the demarcated area
Time starts	: Audible
Procedure	: Upon signal engage targets from within the demarcated area
Notes	: IP3 activates moving target T5 that stays visible at rest



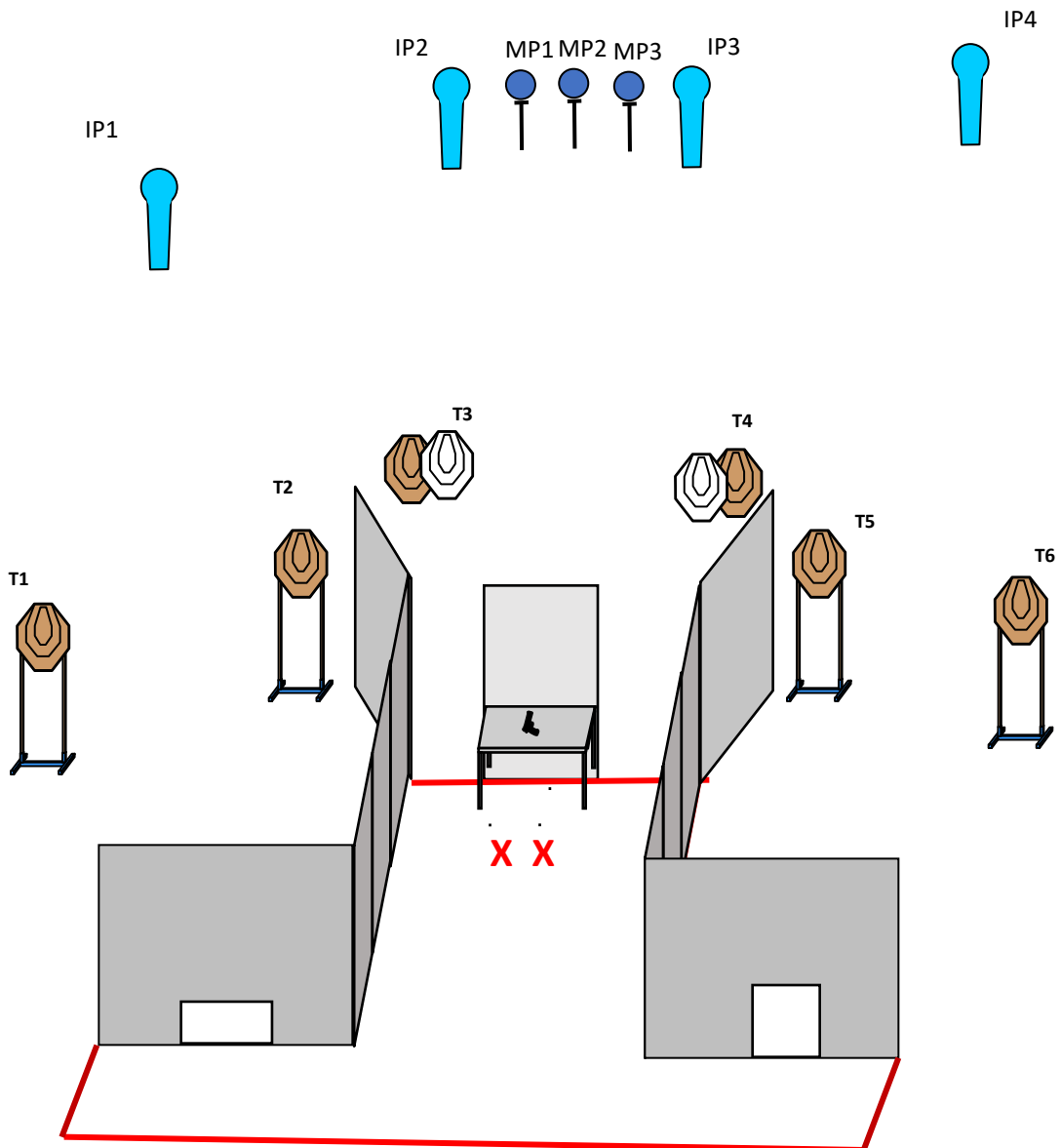
## Stage 6

- Course Type : SHORT  
Targets : 4 IPSC Targets & 2 IPSC poppers & 2 IPSC metal plates  
Rounds to be Scored : 12  
Start position : Standing relax behind either table with the strong hand holding the briefcase.  
Gun loaded placed on top of either table  
Time starts : Audible  
Procedure : Upon signal, engage targets from within the confines of a well-demarcated area without letting go of the briefcase except to reload.



## Stage 7

- Course Type : MEDIUM  
 Targets : 6 IPSC Targets ,4 IPSC poppers, 3 IPSC metal plates & 2 No shoots.  
 Rounds to be Scored : 19  
 Start position : Standing relax on marker. Unloaded gun on top of the table with the first magazine.  
 Time starts : Audible  
 Procedure : Upon signal, engage targets from within the confines of a well-demarcated area



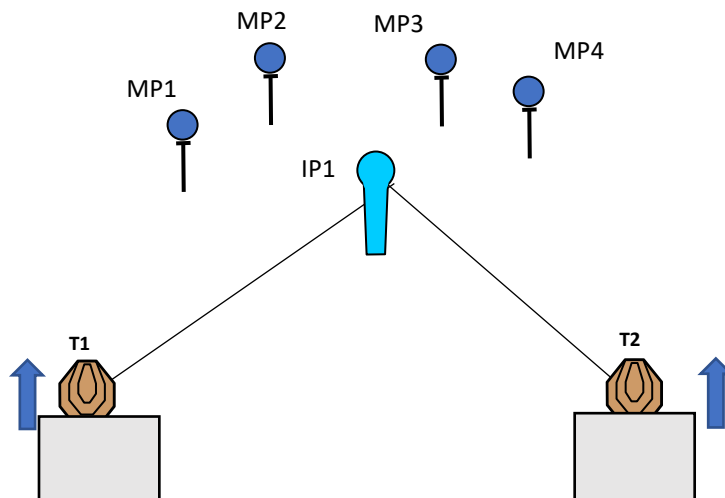


## Stage 8

---

- Course Type : SHORT  
Targets : 2 IPSC Targets ,1 IPSC popper, 4 IPSC metal plates.  
Rounds to be Scored : 9  
Start position : Standing anywhere within the demarcated area  
Time starts : Audible  
Procedure : Upon signal, engage targets from within the confines of a well-demarcated firing zone

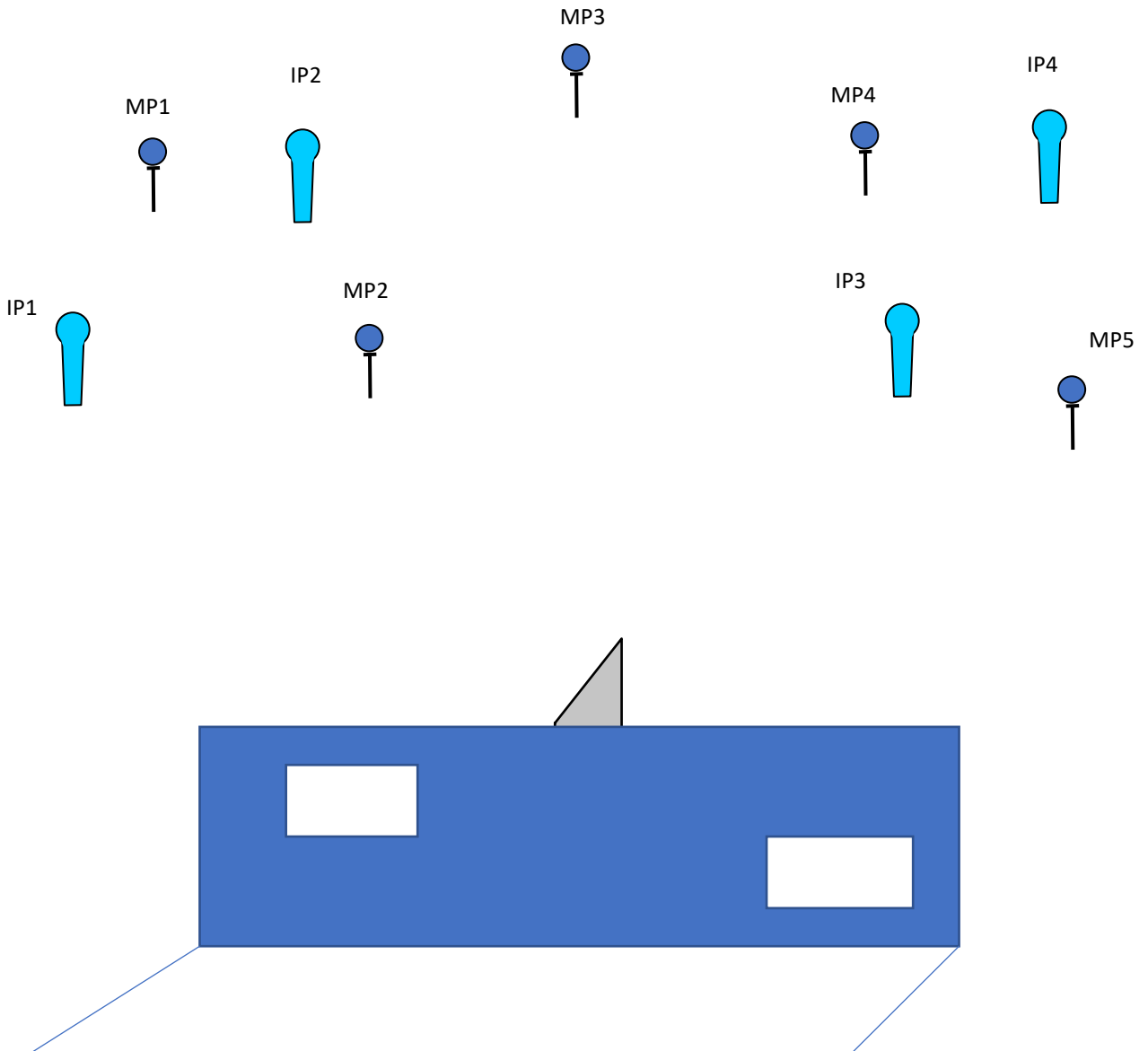
Notes : IP 1 activates moving targets T1 & T2, both of which remains visible at rest



## Stage 9

---

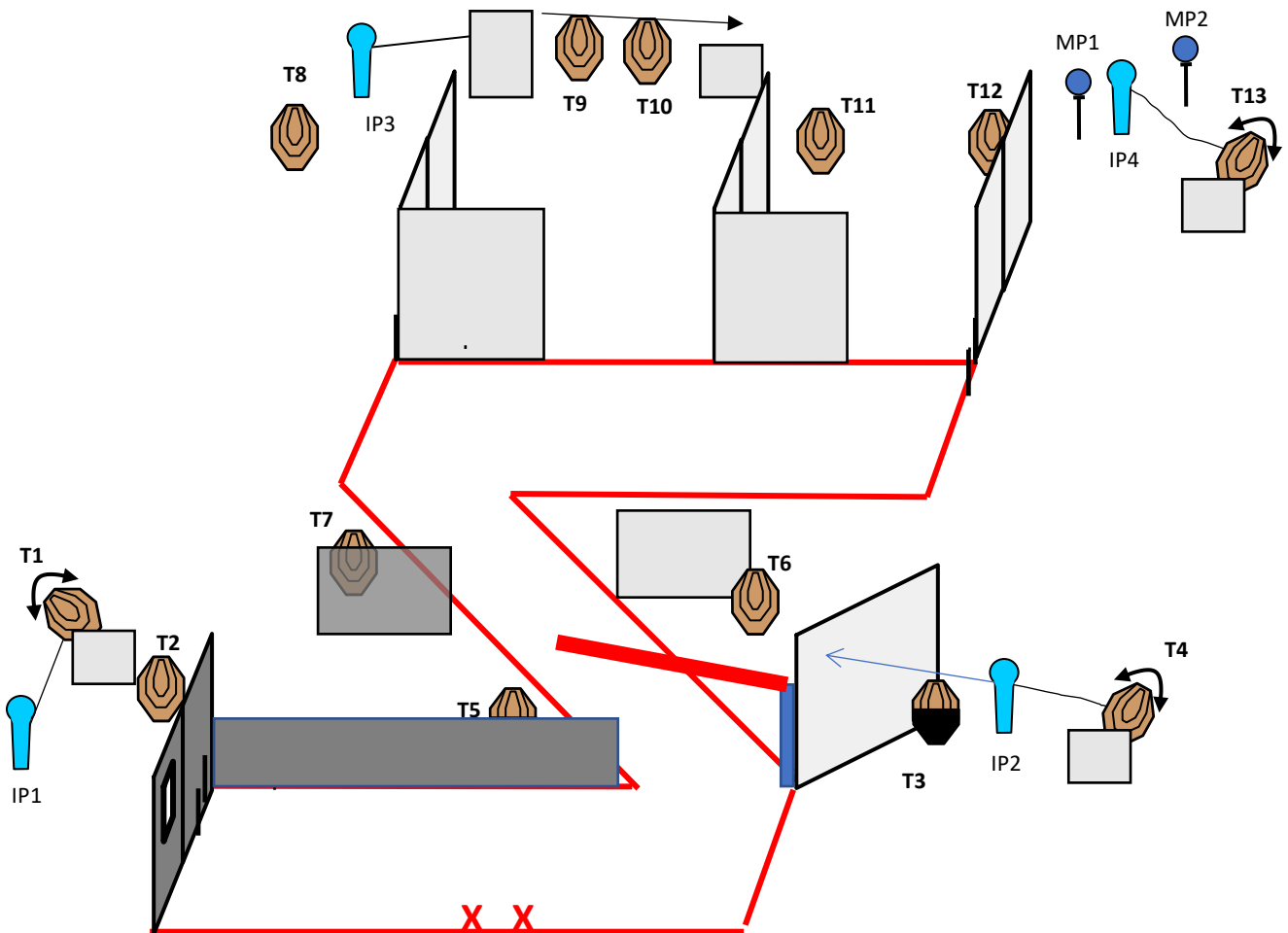
- Course Type : SHORT  
 Targets : 4 IPSC poppers, 5 IPSC metal plates.  
 Rounds to be Scored : 9  
 Start position : Standing anywhere within the demarcated area  
 Time starts : Audible  
 Procedure : Upon signal, engage targets from within the confines of a well-demarcated area



## Stage 10

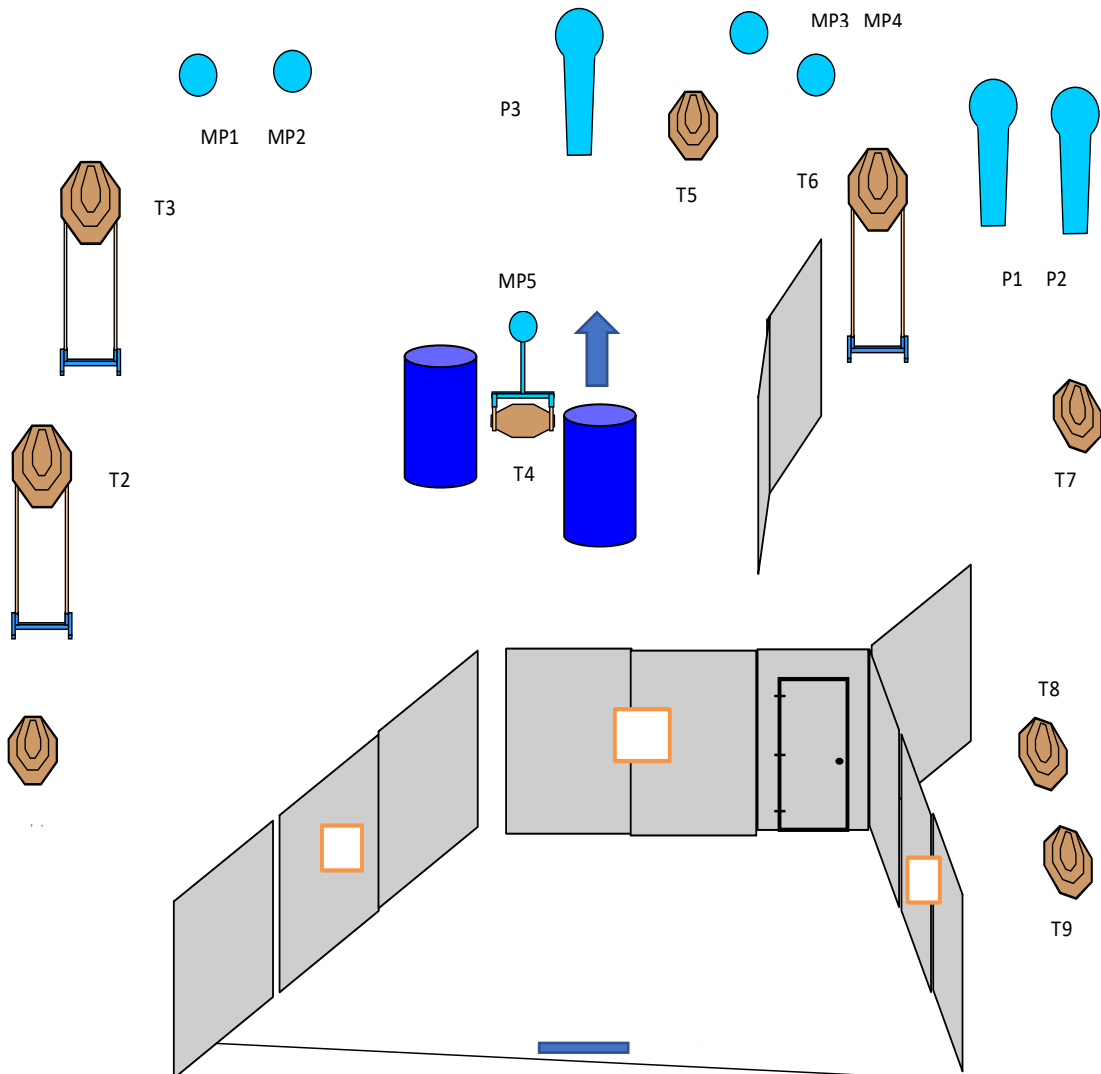
Course Type	: LONG
Targets	: 13 IPSC Targets, 4 IPSC poppers & 2 IPSC Metal Plates.
Rounds to be Scored	: 32
Start position	: Standing relax on marker.
Time starts	: Audible
Procedure	: Upon signal, engage targets from within the confines of a well-demarkated area.

**Note:** IPSC Popper P1 activates moving target T1, P2 activates moving target T4 and opens the crossbar, P3 activates moving targets T9 & T10 and P4 activates moving target T13, all of which remain visible at rest.



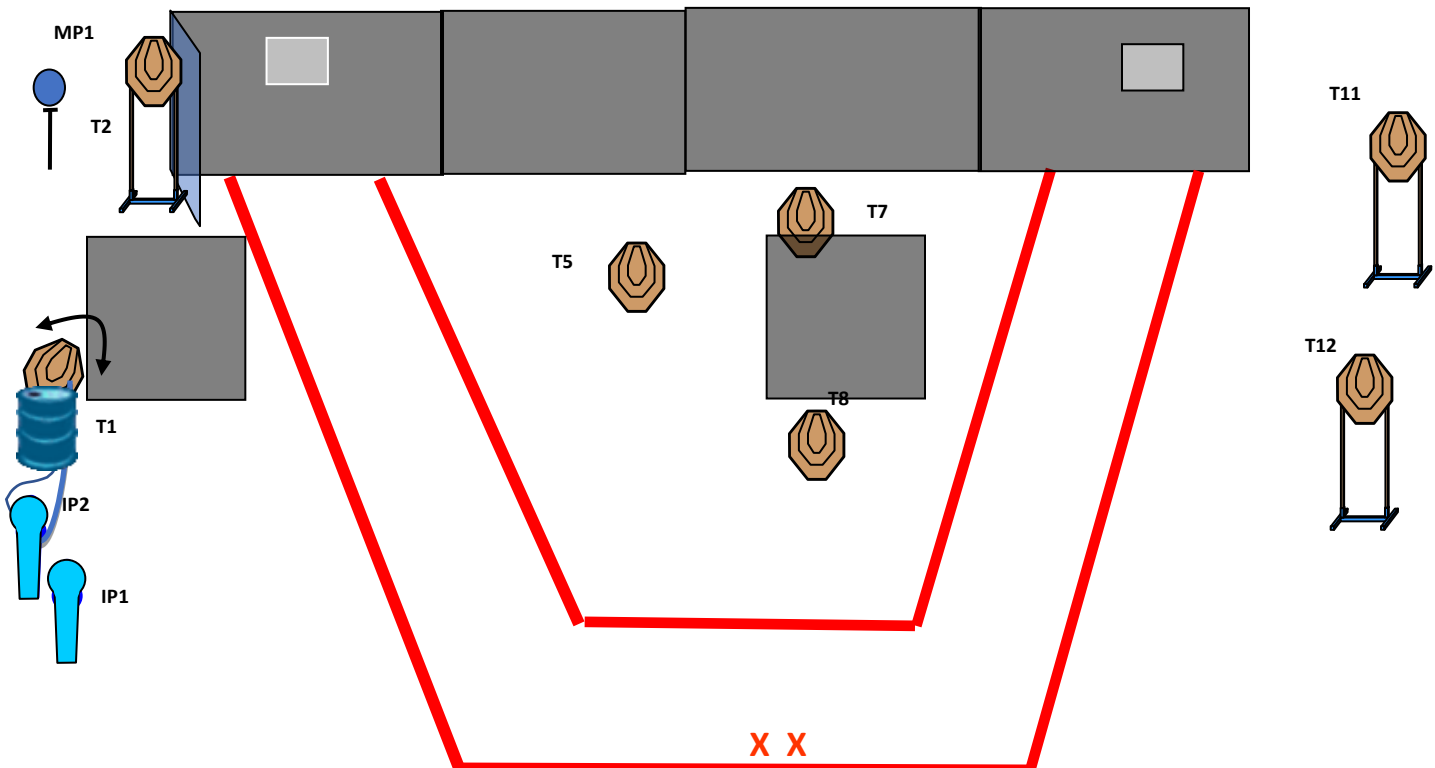
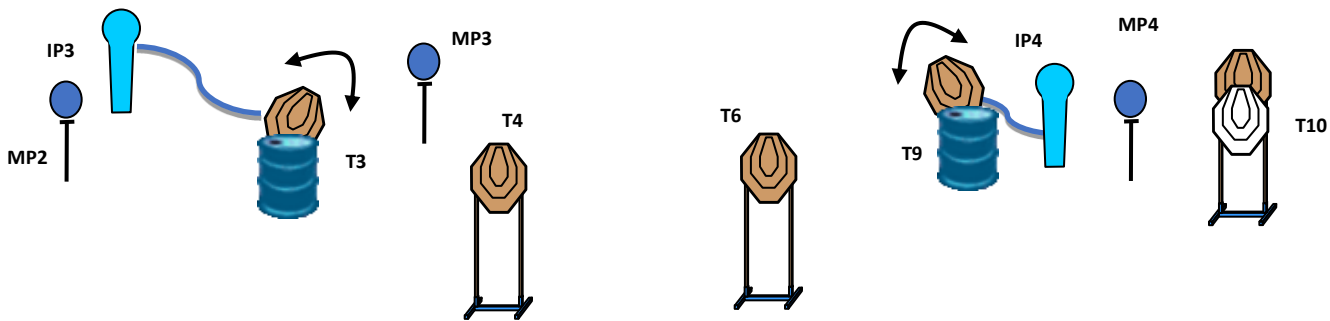
## Stage 11

- Course Type : LONG  
 Targets : 9 IPSC Targets, 3 IPSC Poppers, & 5 IPSC Metal Plates  
 Rounds to be Scored : 26  
 Start position : Standing on mark  
 Time starts : Audible  
 Procedure : Upon signal, engage targets from within the confines of a well-demarcated area  
 Notes : IPSC Metal Plate MP5 will activate moving target T4, which stays visible at rest



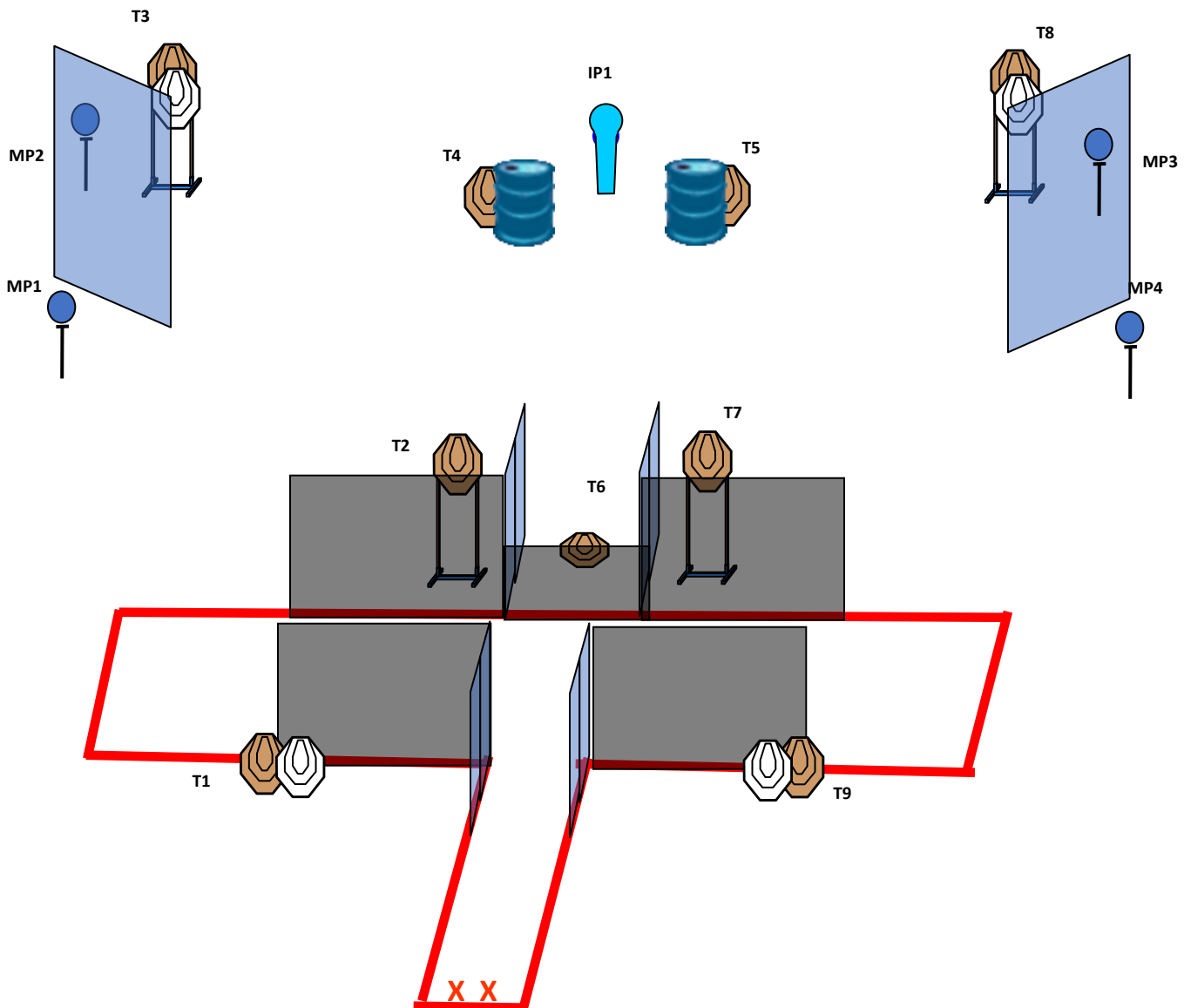
## Stage 12

- Course Type : LONG  
 Targets : 12 IPSC Targets , 4 IPSC poppers & 4 IPSC metal plates  
 Rounds to be Scored : 32  
 Start position : Standing relaxed on marker  
 Time starts : Audible  
 Procedure : Upon signal, engage targets from within the confines of a well-demarcated area  
 Notes : IP 2 activates moving target T1, IP3 activates moving target T3 & IP4 activates moving target T9, all of which remains visible when at rest.



## Stage 13

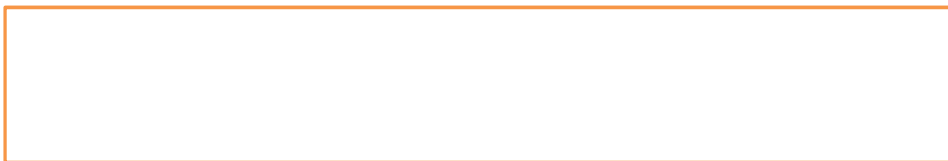
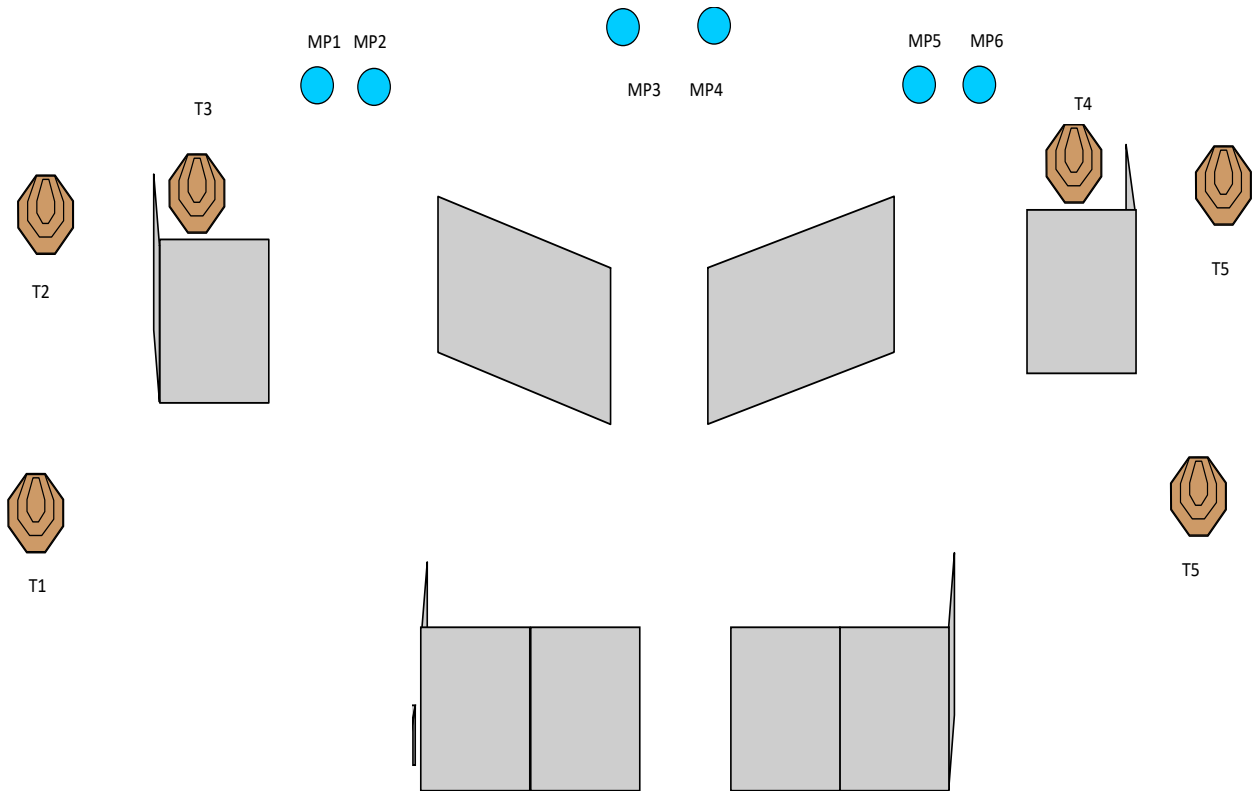
- Course Type : MEDIUM  
 Targets : 9 IPSC Targets , 1 IPSC popper & 4 IPSC Metal plates.  
 Rounds to be Scored : 23  
 Start position : Standing on mark  
 Time starts : Audible  
 Procedure : Upon signal, engage targets from within the confines of a well-demarcated area



## Stage 14

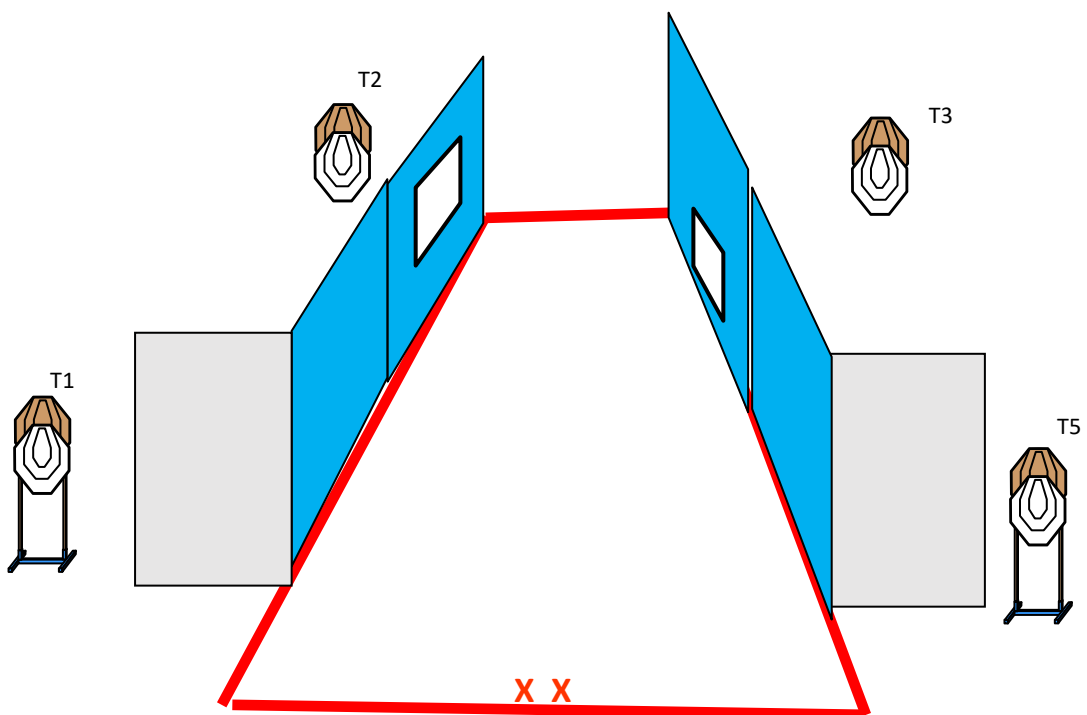
---

- Course Type : MEDIUM  
 Targets : 6 IPSC targets, 6 IPSC Metal Plates.  
 Rounds to be Scored : 18  
 Start position : Standing anywhere within the demarcated area  
 Time starts : Audible  
 Procedure : Upon signal, engage targets from within the confines of a well-demarcated area



## Stage 15

- Course Type : SHORT  
 Targets : 4 IPSC Targets, 2IPSC poppers, 2 IPSC metal plates.  
 Rounds to be Scored : 12  
 Start position : Standing Relax on marker.  
 Time starts : Audible  
 Procedure : Upon signal, engage targets from within the confines of a well-demarcated area

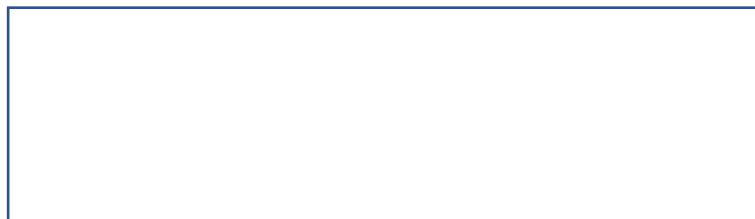
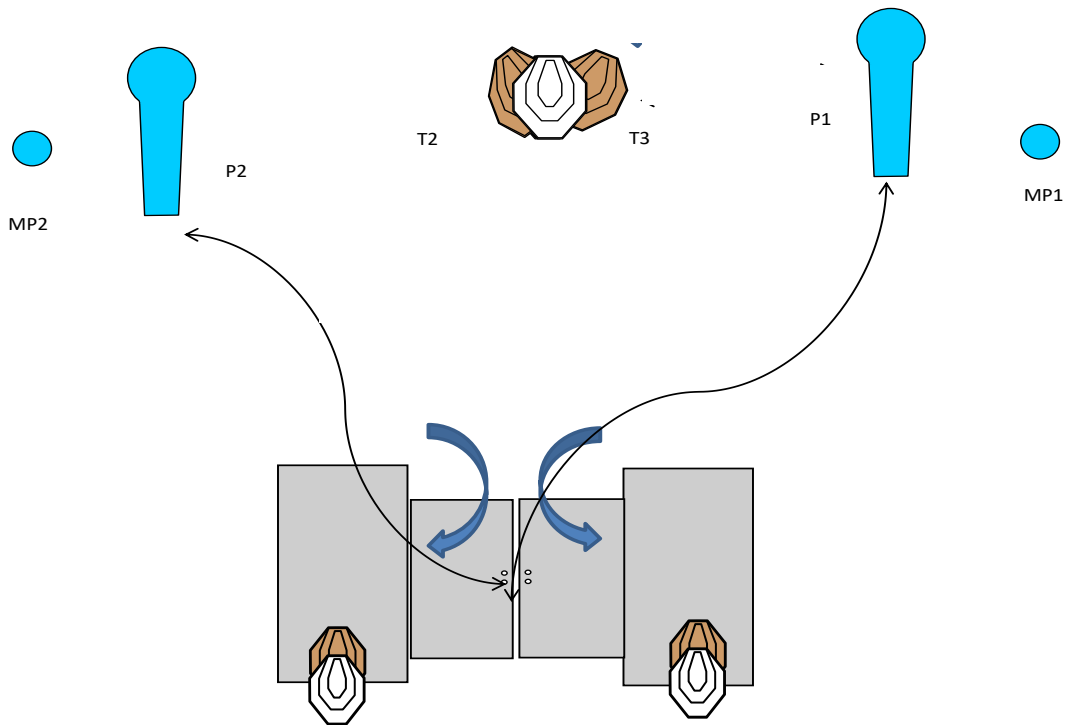




## Stage 16

---

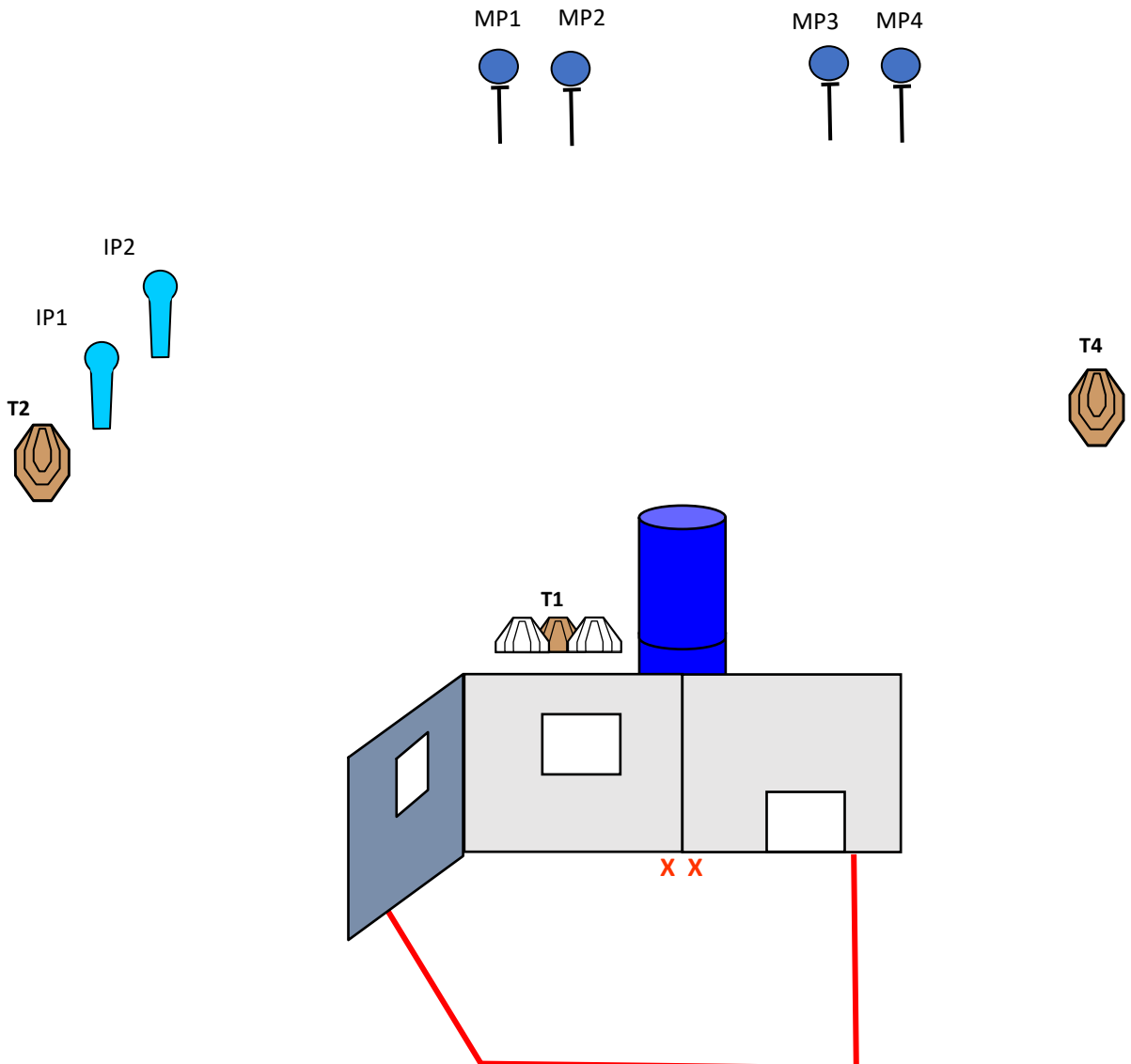
- Course Type : SHORT  
 Targets : 4 IPSC Targets 2 IPSC poppers, 2 IPSC metal plates.  
 Rounds to be Scored : 12  
 Start position : Standing anywhere within the demarcated area  
 Time starts : Audible  
 Procedure : Upon signal, engage targets from within the confines of a well-demarcated area
- Notes: : IPSC Popper P1 or P2 will open the doors



## Stage 17

---

- Course Type : SHORT  
 Targets : 3IPSC Targets 2 IPSC poppers, 4 IPSC metal plates.  
 Rounds to be Scored : 12  
 Start position : Standing on marker  
 Time starts : Audible  
 Procedure : Upon signal, engage targets from within the confines of a well-demarcated area



## Stage 18

---

- Course Type : SHORT  
Targets : 3 IPSC targets, 4 IPSC metal plates.  
Rounds to be Scored : 10  
Start position : Standing on marker  
Time starts : Audible  
Procedure : Upon signal, engage targets from within the confines of a well-demarcated area

